

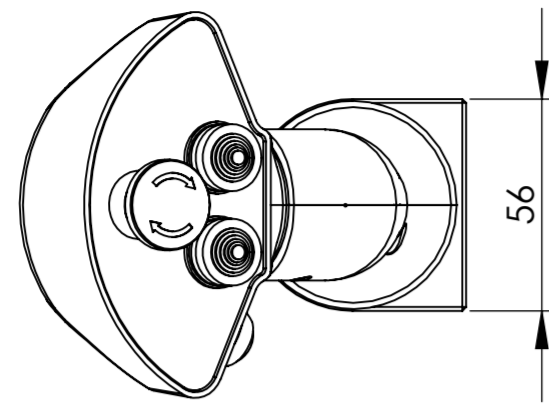
Drawing Number: CDG-GEN-0806

Current Revision: 1.0

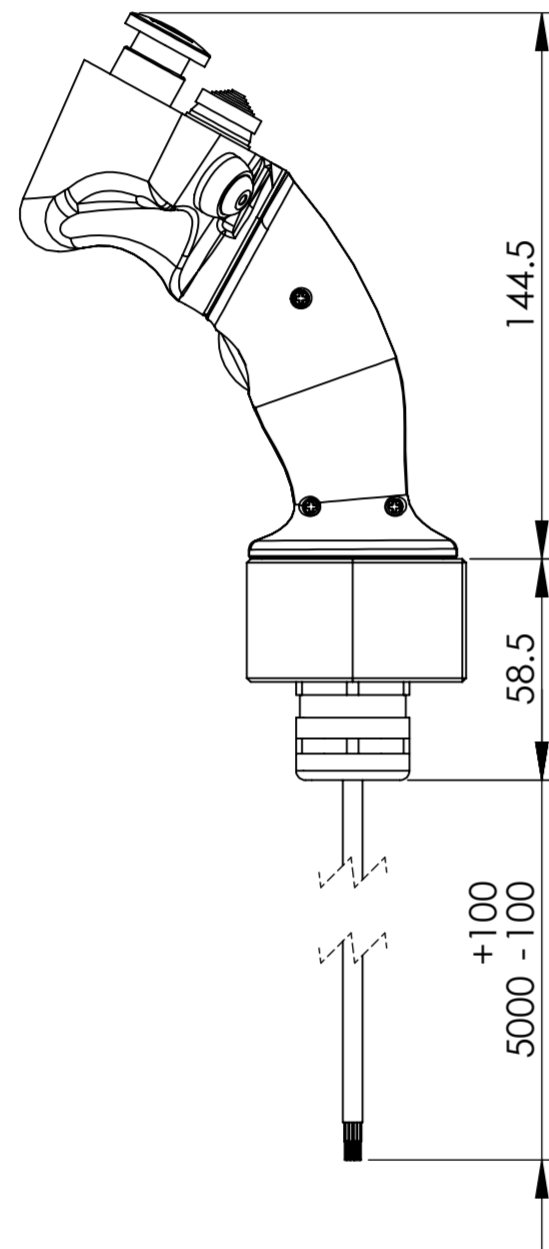
Date: 23/12/2014 11:43:03 AM

RECORD OF ISSUE

REV NO.	CHANGE MADE	PREPARED BY	APPROVED BY	DATE
1.0	<ul style="list-style-type: none">DRAWING CREATED	M DZIDOWSKI	D DELANEY	8/12/2014
2.0	<ul style="list-style-type: none">ADDED WIRE/HARNESS TABLE	M DZIDOWSKI	D DELANEY	23/12/2014



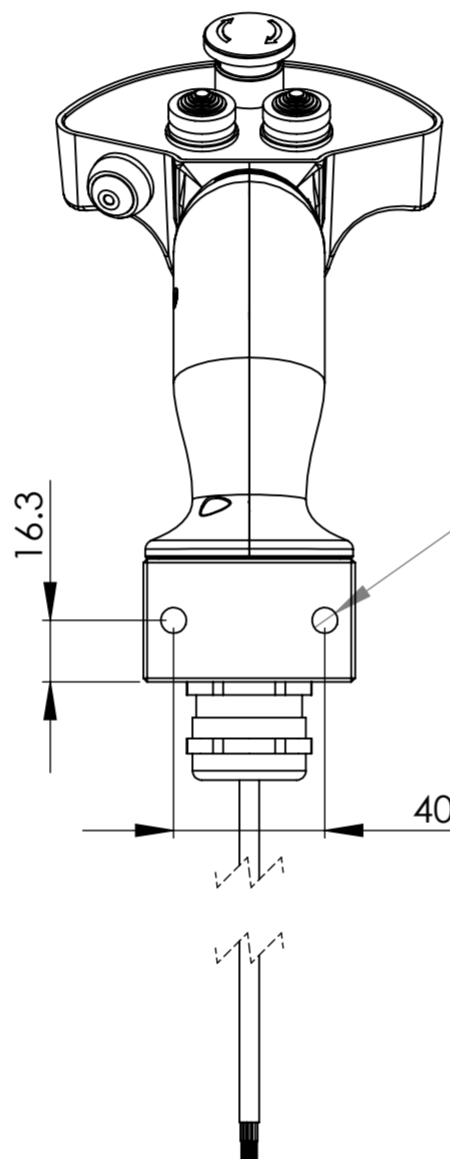
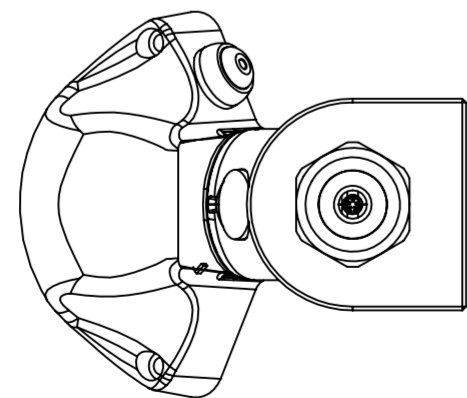
56



144.5

58.5

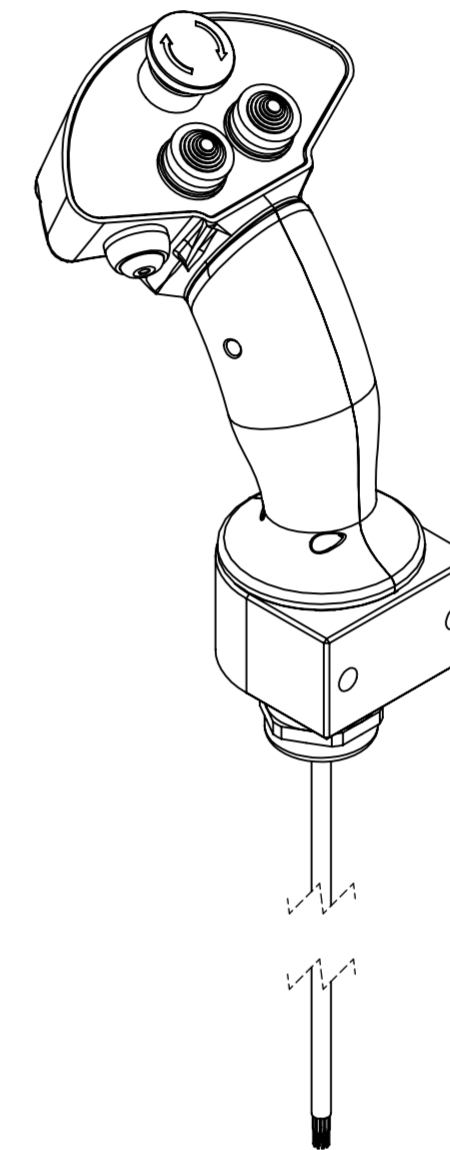
+100
-100



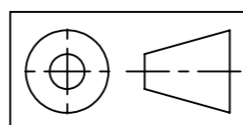
16.3

40

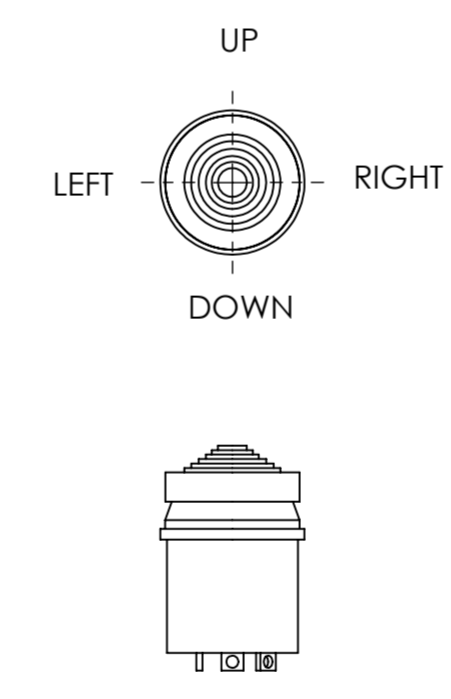
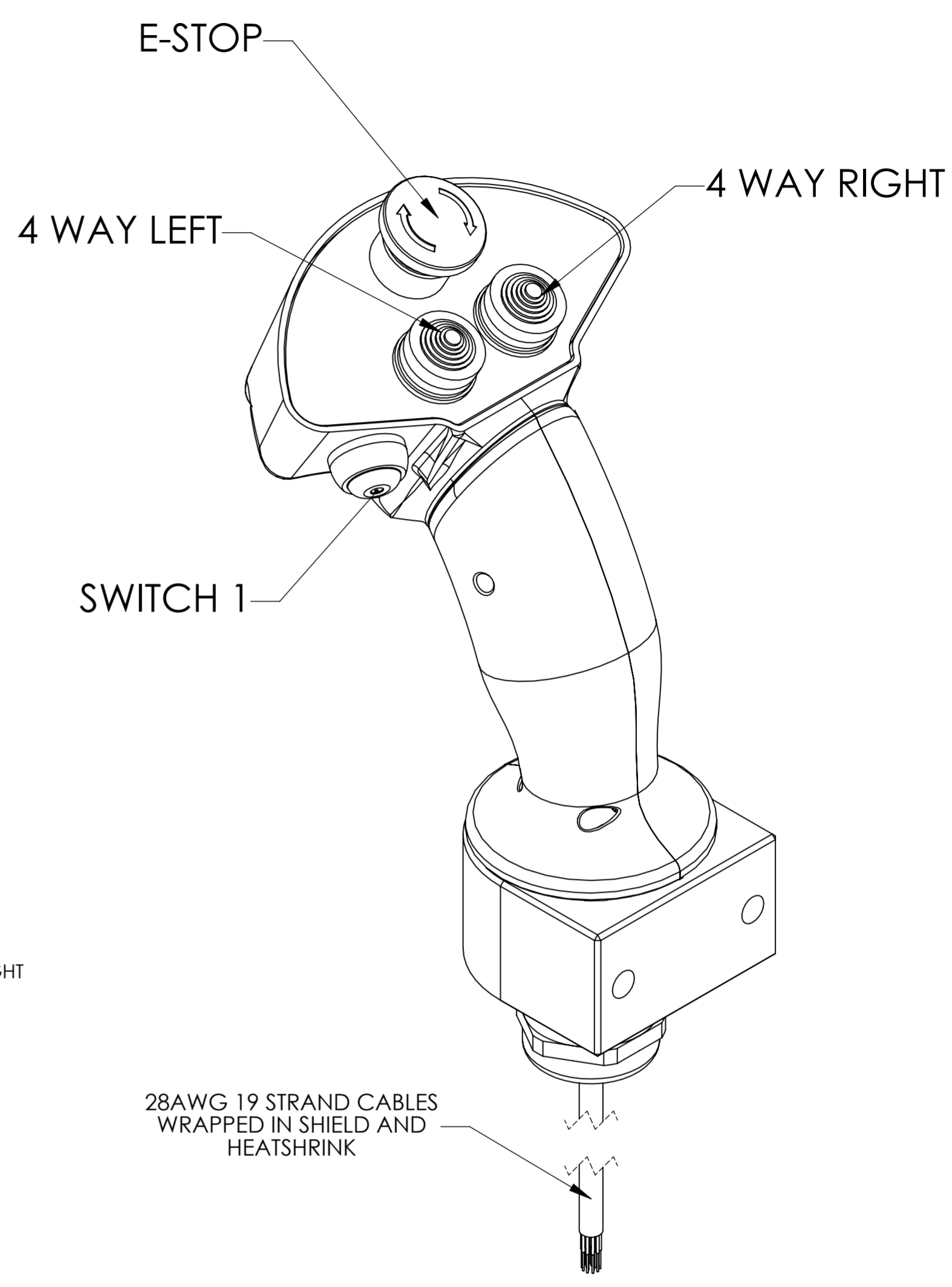
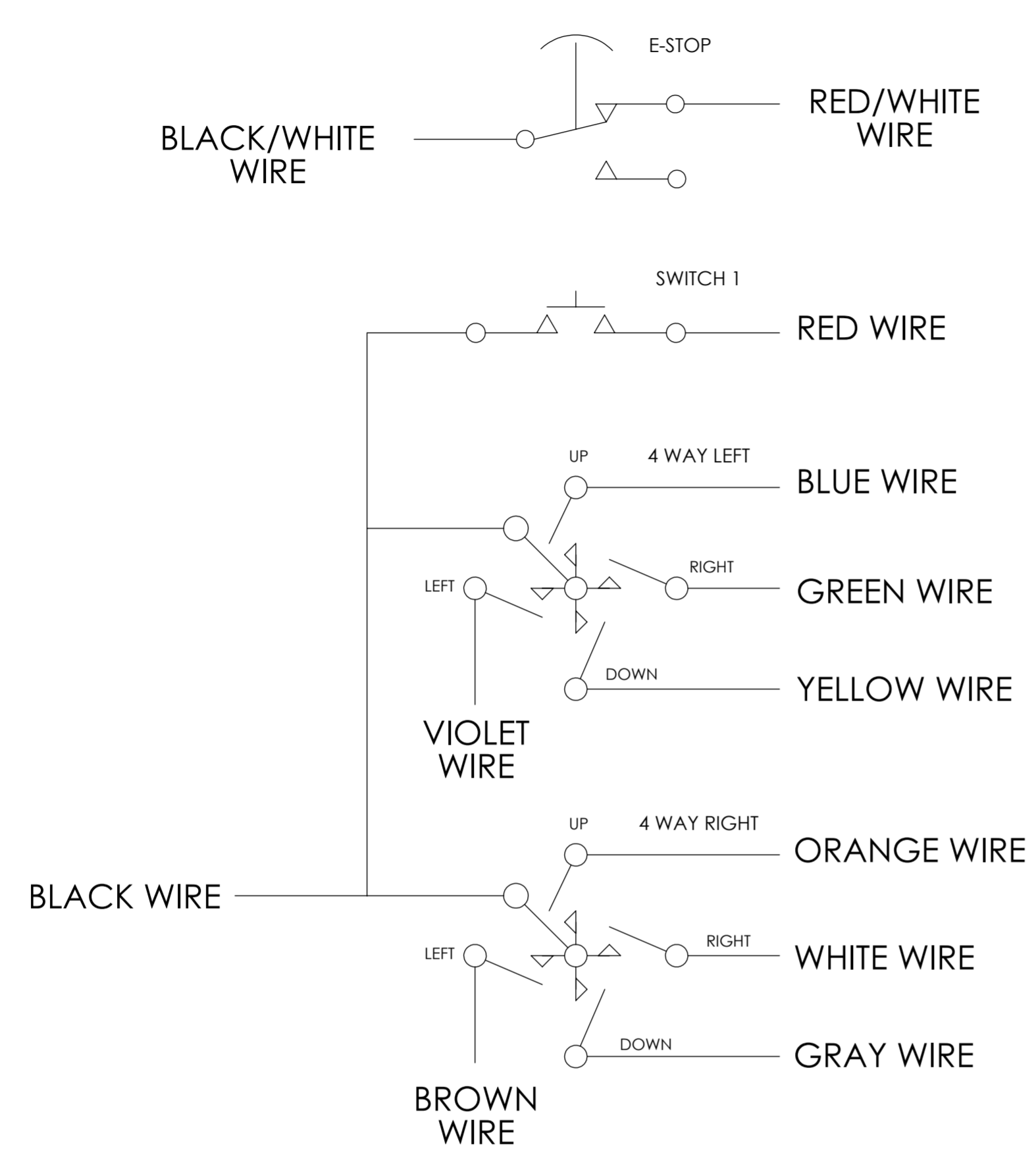
2 x \varnothing 6.8 ∇ 19.8
M8x1.25 - 6H ∇ 16



DRAWN TO AS1100 DIMENSIONS ARE IN MILLIMETERS

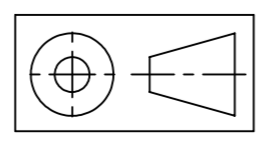


DATE DRAWN 8/12/2014	DATE MODIFIED 23/12/2014	REVISION NO. 1.0	Control Devices ENGINEERING		Unit 5, 79 Bourke Road Alexandria NSW 2015 AUSTRALIA Phone: +61 2 9330 1700 Fax:+61 2 8338 9001E-mail: sales@controldevices.net	
DRAWN BY M DZIDOWSKI		CHECKED BY N BOSENBERG		TITLE CDG-GEN-0806 CUSTOM CONTROL GRIP DMD HANDLE		
TOLERANCES LINEAR: \pm 1.0mm ANGULAR: \pm 1.0° OR AS SHOWN		TYPE PROJECTION PRINTED COPIES ARE UNCONTROLLED		CODE INDENT NO. CDG-GEN-0806	DRAWING NO. CDG-GEN-0806	SHEET SIZE A2
SCALE:1:2 OR AS SHOWN		SHEET 2 OF 5		WEIGHT: N/A		DO NOT SCALE



COLOUR / NUMBER SPLICE CHART	
INTERNAL WIRE CLOUR	HARNES WIRE NUMBER
BLACK/WHITE	1
RED WHITE	2
BLACK	3
RED	4
BLUE	5
GREEN	6
VIOLET	7
YELLOW	8
ORANGE	9
WHITE	10
BROWN	11
GRAY	12

DRAWN TO AS1100 DIMENSIONS ARE IN MILLIMETERS



DATE DRAWN 8/12/2014	DATE MODIFIED 23/12/2014	REVISION NO. 1.0	Control Devices ENGINEERING		Unit 5, 79 Bourke Road Alexandria NSW 2015 AUSTRALIA Phone: +61 2 9330 1700 Fax:+61 2 9338 9001 E-mail: sales@controldevices.net
DRAWN BY M DZIDOWSKI		CHECKED BY N BOSENBERG		TITLE CDG-GEN-0806 CUSTOM CONTROL GRIP DMD HANDLE	
TOLERANCES LINEAR: ± 1.0mm ANGULAR: ± 1.0° OR AS SHOWN		TYPE ELECTRICAL		CODE INDENT NO. CDG-GEN-0806	DRAWING NO. CDG-GEN-0806
PRINTED COPIES ARE UNCONTROLLED		SCALE:1:1 OR AS SHOWN	SHEET 3 OF 5	WEIGHT: N/A	DO NOT SCALE
					SHEET SIZE A2